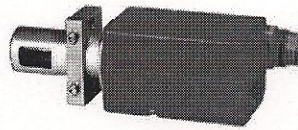
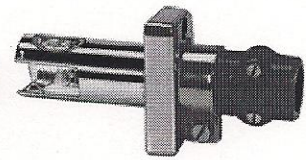


QRA10...



QRA53..., QRA55... with clamp



QRA2... with clamp

## Flame Detectors

**QRA2...**  
**QRA10...**  
**QRA53...**  
**QRA55...**

The flame detectors are designed for use with our burner controls, for the supervision of gas and oil flames.

The QRA... and this Data Sheet are intended for use by OEMs which integrate the flame detectors in their products.

### Use

The flame detectors are used for the supervision of gas flames, yellow- or blue-burning oil flames and for ignition spark proving.

| Type reference     | For use with burner control type   | Operating mode |
|--------------------|--|----------------|
| QRA2..., QRA10...  | LGB2... / LGB4... with AGQ1...<br>LFL...<br>LFE1...<br>LFE10...<br>LMG... with AGQ2... | Intermittent   |
| QRA53..., QRA55... | LGK16...<br>LGI16...   | Continuous     |

2/3

**Type summary**

Flame detectors

| Type reference             | Sensitivity | Flange and clamp | Terminal cover | Spare UV tube |
|----------------------------|-------------|------------------|----------------|---------------|
| <b>QRA2</b>                | normal      | without          | black          | 4 502 1131 0  |
| <b>QRA2(1)</b>             |             | with             |                |               |
| <b>QRA2.9<sup>2)</sup></b> |             | without          |                |               |
| <b>QRA2M</b>               | high        | without          | green          | 4 502 4065 7  |
| <b>QRA2M(1)</b>            |             | with             |                |               |
| <b>QRA10.C</b>             | normal      | ---              | ---            | 4 502 1131 0  |
| <b>QRA10M.C</b>            | high        | ---              | ---            | 4 502 4065 7  |

| Type reference   | Sensitivity | Detector tube length | Mains voltage  | Spare UV tube |
|------------------|-------------|----------------------|----------------|---------------|
| <b>QRA53.C27</b> | normal      | 125 mm               | AC 220...240 V | 4 502 4065 7  |
| <b>QRA53.C17</b> |             |                      | AC 100...110 V |               |
| <b>QRA53.D27</b> | high        |                      | AC 220...240 V |               |
| <b>QRA53.D17</b> |             |                      | AC 100...110 V |               |
| <b>QRA55.C27</b> | normal      | 77 mm                | AC 220...240 V |               |
| <b>QRA55.C17</b> |             |                      | AC 100...110 V |               |
| <b>QRA55.D27</b> | high        |                      | AC 220...240 V |               |
| <b>QRA55.D17</b> |             |                      | AC 100...110 V |               |

Note

All QRA5... are delivered complete with clamp. Use of the detector requires a connecting cable **AGM19** (refer to «Accessories» for QRA5...).

Accessories for QRA2... and QRA5... when ordered as single items

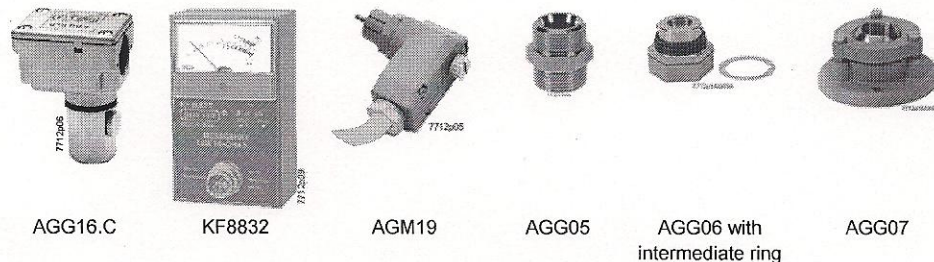
| Part                                    | For use with | Part number         |
|---|--------------|---------------------|
| Flange <sup>3)</sup> rounded            | QRA2...      | <b>4 241 8855 0</b> |
| Flange straight                         | QRA2...      | <b>4 241 8898 0</b> |
| Clamp <sup>3)</sup>                     | QRA2...      | <b>4 199 8806 0</b> |
| Clamp for direct mounting <sup>4)</sup> | QRA5...      | <b>4 199 1034 0</b> |

Accessories for QRA5...

| Type reference | Description  |
|----------------|--|
| <b>AGG16.C</b> | Adapter for QRA53... and QRA55...  |
| <b>AGM19</b>   | Plug complete with 2 m cable for QRA53... and QRA55...   |
| <b>KF8832</b>  | Unit for measuring the detector current with QRA53... and QRA55..., recommended for use with detector types up to the C-series |

Accessories for QRA10... and AGG16.C

| Type reference            | Description   |
|---------------------------|---|
| <b>AGG02</b>              | Heat insulation glass with spring washer and O-ring       |
| <b>AGG03<sup>1)</sup></b> | Quartz glass lens with spring washer and O-ring           |
| <b>AGG05</b>              | 1 in. nipple  |
| <b>AGG06</b>              | Glass and quartz glass lens holder with intermediate ring |
| <b>AGG07</b>              | Ball head with 1 in. internal thread                      |



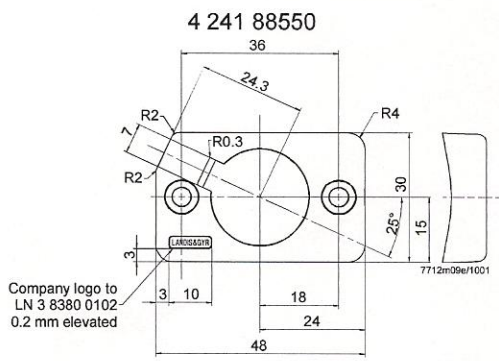
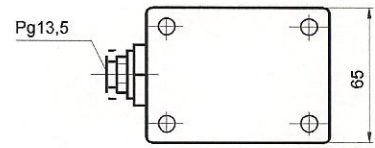
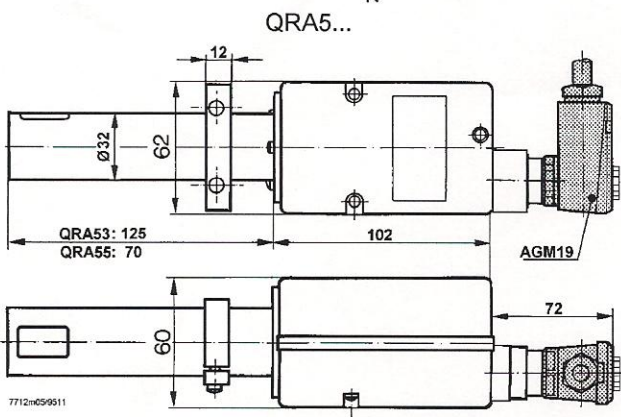
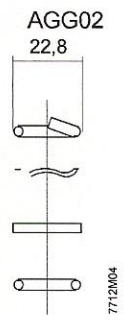
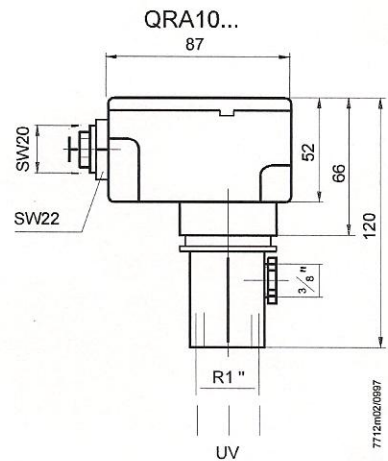
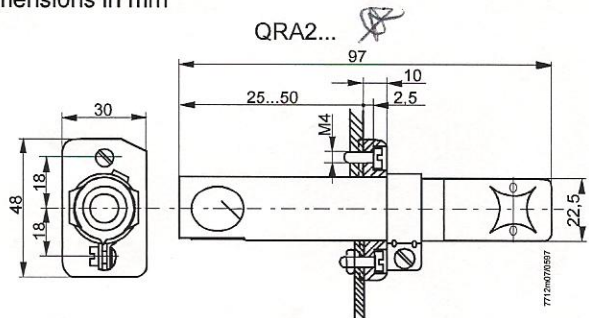
Legend

- 1) For detectors of the B-series, lens AGG01 is available
- 2) With heat-resistant housing for ambient temperatures up to 200 °C (short-time, up to a few seconds)
- 3) Supplied with QRA2...(1) types
- 4) Supplied with QRA5... types

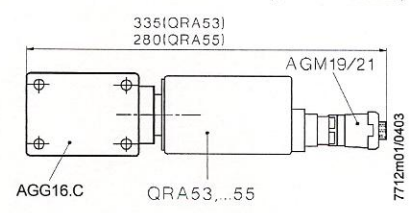
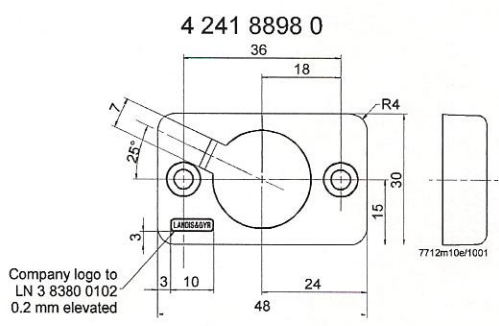
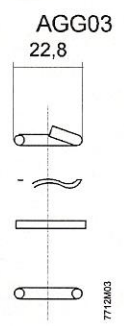
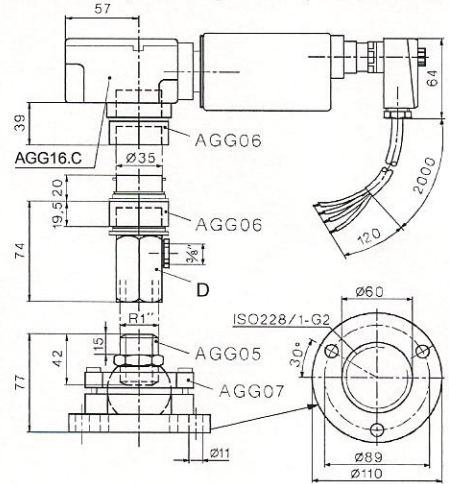
3/3

# Dimensions

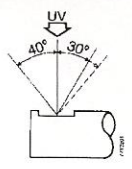
Dimensions in mm



QRA5... with AGG05, AGG06, AGG07, AGG16.C and AGM19



Incidence of radiation



Clamp for direct mounting on the burner or the AGG16.C

